

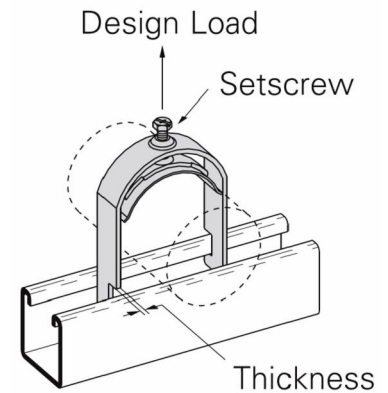
STRUT CLAMPS



One Piece Universal Strut Clamp

2701 - 2712

Fig. Number	EMT Size		Rigid Conduit Size		Thickness		Max Rec. Load		Weight	
							lbs.	kN	lbs.	Kg
2701	3/8	(10)	-	-	16 ga.	(1.5)	200	(0.89)	.07	(.03)
2702	1/2	(15)	3/8	(10)	16 ga.	(1.5)	200	(0.89)	.07	(.03)
2703	3/4	(20)	1/2	(15)	16 ga.	(1.5)	200	(0.89)	.08	(.04)
2704	1	(25)	3/4	(20)	14 ga.	(1.9)	300	(1.33)	.11	(.05)
2705	1 1/4	(32)	1	(25)	14 ga.	(1.9)	300	(1.33)	.13	(.06)
2706	1 1/2	(40)	1 1/4	(32)	12 ga.	(2.6)	400	(1.78)	.21	(.09)
2707	2	(50)	1 1/2	(40)	12 ga.	(2.6)	400	(1.78)	.22	(.10)
2708	-	-	2	(50)	12 ga.	(2.6)	400	(1.78)	.23	(.10)
2709	2 1/2	(65)	2 1/2	(65)	12 ga.	(2.6)	400	(1.78)	.26	(.12)
2710	3	(80)	3	(80)	12 ga.	(2.6)	400	(1.78)	.30	(.14)
2711	3 1/2	(90)	3 1/2	(90)	12 ga.	(2.6)	400	(1.78)	.33	(.15)
2712	4	(100)	4	(100)	12 ga.	(2.6)	400	(1.78)	.37	(.17)



Material: Low carbon steel
Finish: Electro-galvanized
Ordering: Specify figure number and pipe size.

Unless otherwise specified, all dimensions on drawings and in charts are in inches and dimensions shown in parentheses are in millimeters.