

ANGLE FITTINGS



5390 Single Adjustable Brace For use with 1 5/8" Strut

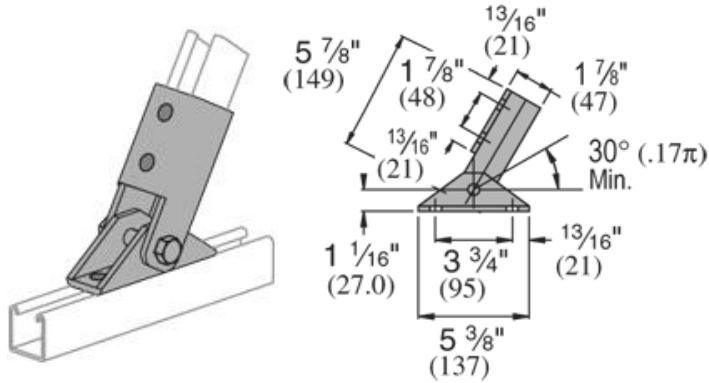


Fig. Number	Std. Package	Wt. Each	
		lbs.	kg
5390	10	3.07	(1.40)

MATERIAL: 1/4 (6.35)

FINISH: Electro-galvanized

ORDERING: Specify figure number.

HOLE DIM: 9/16 dia. • 13/16 from end • 17/8 on centers

5395 Double Adjustable Brace For use with 1 5/8" Strut

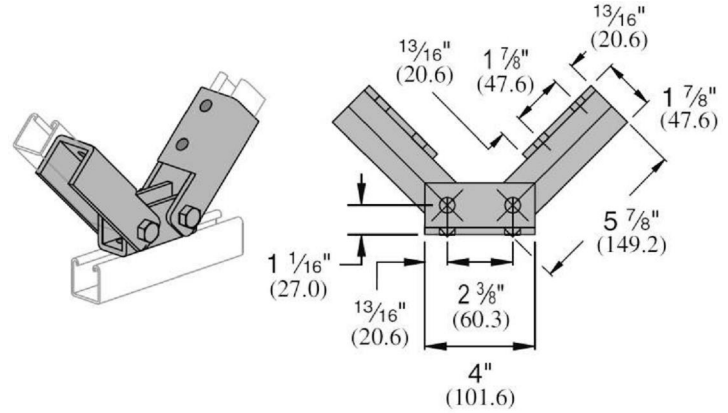


Fig. Number	Std. Package	Wt. Each	
		lbs.	kg
5395	10	4.97	(2.25)

MATERIAL: 1/4 (6.35)

FINISH: Electro-galvanized

ORDERING: Specify figure number.

HOLE DIM: 9/16 dia. • 13/16 from end • 17/8 on centers

Unless otherwise specified, all dimensions on drawings and in charts are in inches and dimensions shown in parentheses are in millimeters.