



# ANGLE FITTINGS

## 5380

### 2-Hole Adjustable Hinge

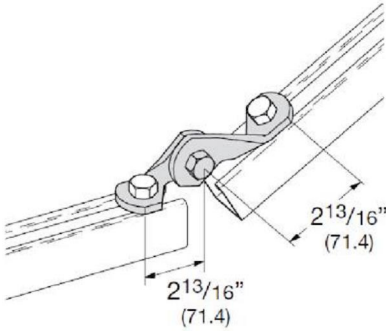


Fig. Number	Std. Package	Wt. Each	
		lbs.	kg
5380	25	.78	(.35)

**MATERIAL:** 1/4 (6.35)

**FINISH:** Electro-galvanized

**ORDERING:** Specify figure number.

**HOLE DIM:** 9/16 (14.29) dia. • 13/16 (20.64) from end • 17/8 (47.63) on centers

## 5381

### 3-Hole Adjustable Hinge

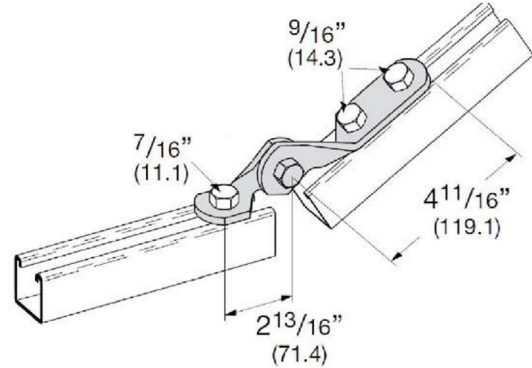


Fig. Number	Std. Package	Wt. Each	
		lbs.	kg
5381	20	.96	(.44)

**MATERIAL:** 1/4 (6.35)

**FINISH:** Electro-galvanized

**ORDERING:** Specify figure number.

**HOLE DIM:** 9/16 (14.29) dia. • 13/16 (20.64) from end • 17/8 (47.63) on centers

## 5382

### 3-Hole Adjustable Hinge

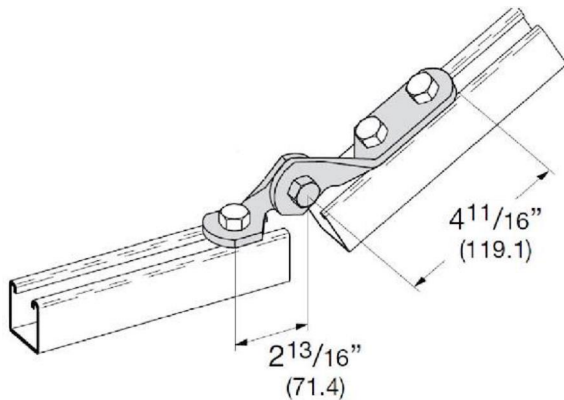


Fig. Number	Std. Package	Wt. Each	
		lbs.	kg
5382	20	.94	(.43)

**MATERIAL:** 1/4 (6.35)

**FINISH:** Electro-galvanized

**ORDERING:** Specify figure number.

**HOLE DIM:** 9/16 (14.29) dia. • 13/16 (20.64) from end • 17/8 (47.63) on centers

## 5383

### 4-Hole Adjustable Hinge

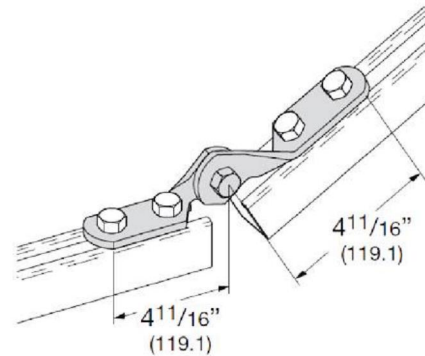


Fig. Number	Std. Package	Wt. Each	
		lbs.	kg
5383	20	1.33	(.60)

**MATERIAL:** 1/4 (6.35)

**FINISH:** Electro-galvanized

**ORDERING:** Specify figure number.

**HOLE DIM:** 9/16 (14.29) dia. • 13/16 (20.64) from end • 17/8 (47.63) on centers

Unless otherwise specified, all dimensions on drawings and in charts are in inches and dimensions shown in parentheses are in millimeters.



# ANGLE FITTINGS

## 5384 2-Hole Adjustable Hinge

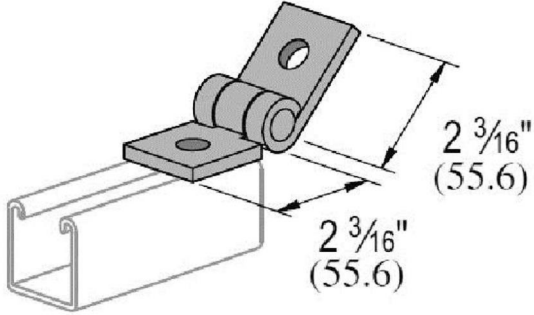


Fig. Number	Std. Package	Wt. Each	
		lbs.	kg
5384	25	.68	(.31)

Available in stainless steel. To order, specify 304 or 316 and add suffix SS to fig. number. Price on request.

**MATERIAL:** 1/4 (6.35)

**FINISH:** Electro-galvanized

**ORDERING:** Specify figure number.

**HOLE DIM:** 9/16 (14.29) dia. • 13/16 (20.64) from end • 17/8 (47.63) on centers

## 5385 3-Hole Adjustable Hinge

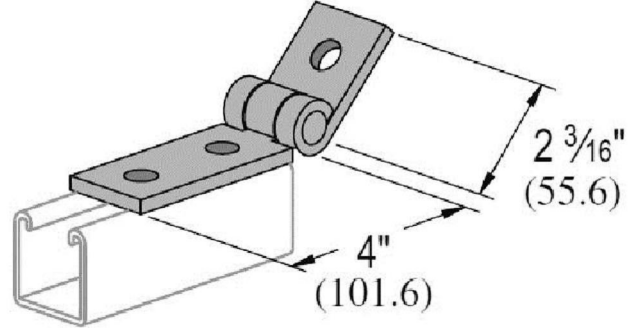


Fig. Number	Std. Package	Wt. Each	
		lbs.	kg
5385	25	.89	(.40)

Available in stainless steel. To order, specify 304 or 316 and add suffix SS to fig. number. Price on request.

**MATERIAL:** 1/4 (6.35)

**FINISH:** Electro-galvanized

**ORDERING:** Specify figure number.

**HOLE DIM:** 9/16 (14.29) dia. • 13/16 (20.64) from end • 17/8 (47.63) on centers

## 5386 4-Hole Adjustable Hinge

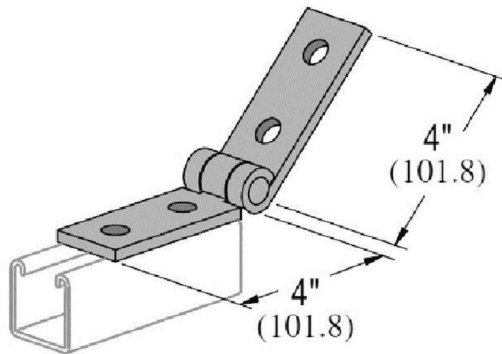


Fig. Number	Std. Package	Wt. Each	
		lbs.	kg
5386	25	1.09	(.49)

Available in stainless steel. To order, specify 304 or 316 and add suffix SS to fig. number. Price on request.

**MATERIAL:** 1/4 (6.35)

**FINISH:** Electro-galvanized

**ORDERING:** Specify figure number.

**HOLE DIM:** 9/16 (14.29) dia. • 13/16 (20.64) from end • 17/8 (47.63) on centers

Unless otherwise specified, all dimensions on drawings and in charts are in inches and dimensions shown in parentheses are in millimeters.