

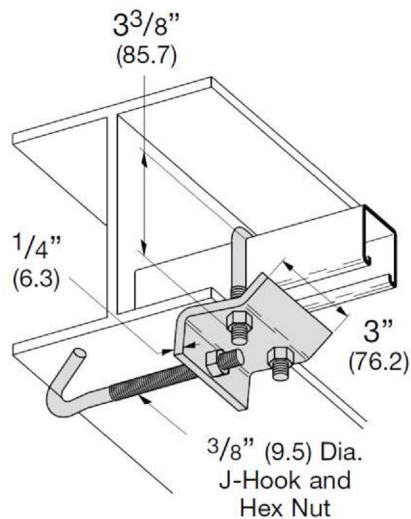
# BEAM CLAMPS



## 7080 - 7089 Beam Clamps

7080-7084

For use with 1 5/8" Strut



7085-7089

For use with 3 1/4" Strut

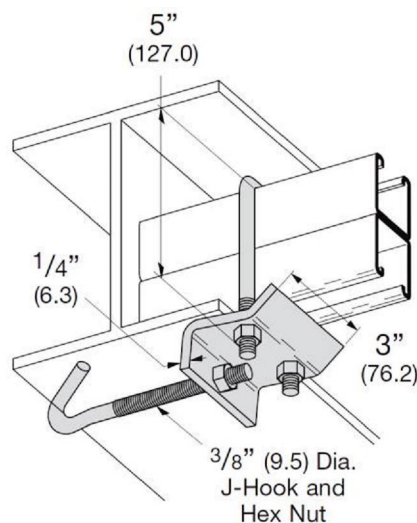


Fig. Number	For Flange Width		Std. Package	Wt. Each	
				lbs.	kg
7080	4" - 5 7/8"	(101.6 - 149.2)	25	1.42	(0.64)
7081	6" - 8 7/8"	(152.4 - 225.4)	25	1.51	(0.69)
7082	9" - 11 7/8"	(228.6 - 301.6)	25	1.60	(0.73)
7083	12" - 14 7/8"	(304.8 - 377.8)	25	1.70	(0.77)
7084	15" - 17 7/8"	(381.0 - 454.0)	25	1.79	(0.81)
7085	4" - 5 7/8"	(101.6 - 149.2)	25	1.51	(0.69)
7086	6" - 8 7/8"	(152.4 - 225.4)	25	1.57	(0.71)
7087	9" - 11 7/8"	(228.6 - 301.6)	25	1.66	(0.75)
7088	12" - 14 7/8"	(304.8 - 377.8)	25	1.76	(0.80)
7089	15" - 17 7/8"	(381.0 - 454.0)	25	1.85	(0.84)

Note: 1" (25.4) Max. Flange Thickness

Torque J-Hook nut to 60 in./lbs

Torque U-Bolt nuts to 150 in./lbs.

Available in stainless steel. To order, specify 304 or 316 and add suffix SS to fig. number. Price on request.

**MATERIAL:** 1/4" (6.35)

**FINISH:** Electro-galvanized

**ORDERING:** Specify figure number and flange width.

Unless otherwise specified, all dimensions on drawings and in charts are in inches and dimensions shown in parentheses are in millimeters.