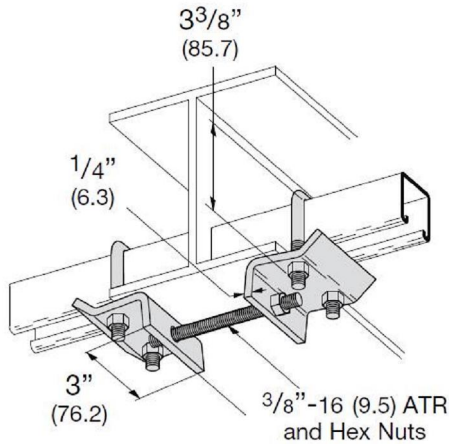


## 7090 - 7099 Beam Clamps

### 7090-7094

For use with 1 5/8" Strut



### 7095-7099

For use with 3 1/4" Strut

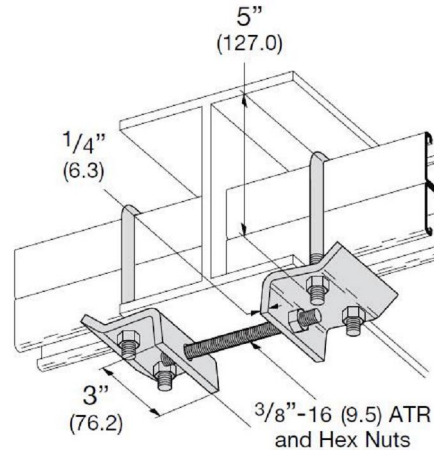


Fig. Number	For Flange Width		Std. Package	Wt. Each	
				lbs.	kg
7090	4" - 5 7/8"	(101.6 - 149.2)	25	2.82	(1.28)
7091	6" - 8 7/8"	(152.4 - 225.4)	25	2.89	(1.31)
7092	9" - 11 7/8"	(228.6 - 301.6)	25	2.96	(1.34)
7093	12" - 14 7/8"	(304.8 - 377.8)	25	3.04	(1.38)
7094	15" - 17 7/8"	(381.0 - 454.0)	25	3.11	(1.41)
7095	4" - 5 7/8"	(101.6 - 149.2)	25	3.00	(1.36)
7096	6" - 8 7/8"	(152.4 - 225.4)	25	3.07	(1.39)
7097	9" - 11 7/8"	(228.6 - 301.6)	25	3.14	(1.42)
7098	12" - 14 7/8"	(304.8 - 377.8)	25	3.22	(1.46)
7099	15" - 17 7/8"	(381.0 - 454.0)	25	3.29	(1.49)

Note: 1" (25.4) Max. Flange Thickness

Torque U-Bolt nuts to 150 in./lbs.

Torque all-thread rod connector nuts to 60 in./lbs.

Available in stainless steel. To order, specify 304 or 316 and add suffix SS to fig. number. Price on request.

**MATERIAL:** 1/4 (6.35)

**FINISH:** Electro-galvanized

**ORDERING:** Specify figure number and flange width.