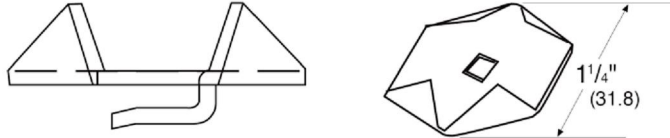
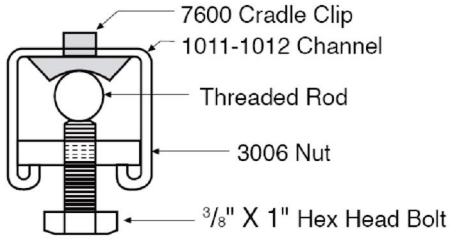




# THREADED ACCESSORIES

## 7600 Cradle Clip

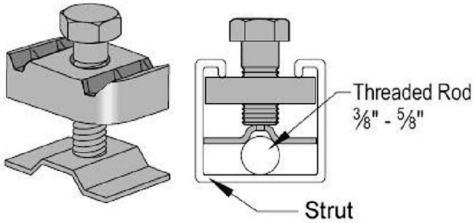
**FUNCTION:** Designed to stiffen 3/8" to 5/8" rod.  
**MATERIAL:** Low carbon steel  
**FINISH:** Electro-galvanized  
**ORDERING:** Specify figure number.



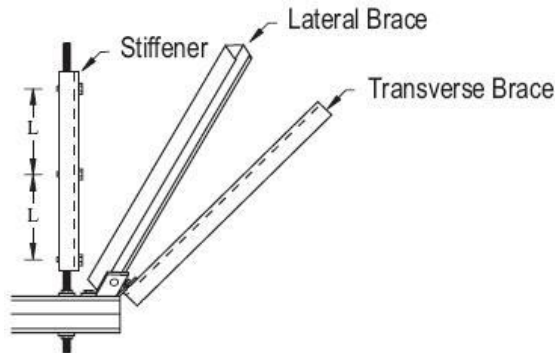
Rod Size		Std. Package	Wt. Each	
			lbs.	kg
3/8	(10)	500	.03	(.01)
1/2	(12)	500	.03	(.01)
5/8	(16)	500	.03	(.01)

## 7605 Rod Stiffener

**FUNCTION:** Designed to stiffen 3/8" to 5/8" rod.  
**MATERIAL:** Low carbon steel  
**FINISH:** Electro-galvanized  
**ORDERING:** Specify figure number.



Rod Size		Std. Package	Wt. Each	
			lbs.	kg
3/8	(10)	100	.16	(.07)
1/2	(12)	100	.16	(.07)
5/8	(16)	100	.16	(.07)



Rod Stiffener Clip Spacing (L)							
Rod Size	Root Area In <sup>2</sup> (mm <sup>2</sup> )	Radius of Gyration	Design Load Lbs (kN)	Rod Stress @100% 10,700 PSI	Rod Stress @75% 8,025 PSI	Rod Stress @50% 5,350 PSI	Rod Stress @35% 3,745 PSI
3/8	0.068	0.074	730	9	11	13	15
(10)	(49.5)	(1.99)	(3.6)	(229)	(279)	(330)	(381)
1/2	0.126	0.100	1350	12	14	17	21
(12)	(72.4)	(2.40)	(5.3)	(3.05)	(356)	(432)	(533)
5/8	0.202	0.127	2160	15	18	22	26
(16)	(138.3)	(3.32)	(10.2)	(381)	(457)	(559)	(660)

Unless otherwise specified, all dimensions on drawings and in charts are in inches and dimensions shown in parentheses are in millimeters.