

New Evolution E-Series Basins



The new Evolution E-Series basin from Topp Industries has been engineered to provide the ultimate blend of durability and design. The result is a rugged structural foam basin with all of the industry leading features you need, at a price you want. Evolution series basins are available in diameters up to 30" and accommodate not only Evolution Series structural foam covers but also Topp epoxy coated steel and non-skid Fiberglass covers as well.

Join the new Evolution today!

Evolution Series E-Series Features Include:

- All structural foam design provides maximum durability – won't crack or dent
- Self-Tapping Lags for cover attachment – No inserts to corrode or protect
- Dual raised flat pockets for a perfect inlet seal every time
- Gas Tight for sewage and radon mitigation applications when used with E-Series Cover and Gaskets.
- Integrated internal stacking ribs allow for perfect stack and nest shipment without sticking
- E-Series Covers packaged with all necessary inlet grommets for ease of use for the contractor

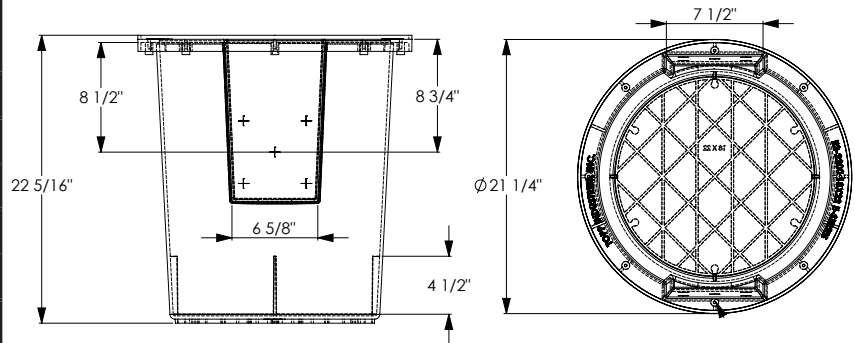




New Evolution E-Series Basins

SPECIFICATIONS

Sizes	Capacity	Wt.	Part #
18" x 22"	22 gal	11 lbs.	E2-2200
18" x 30"	30 gal	16 lbs.	E3-2400
24" x 24"	45 gal	19 lbs.	E4-3100
24" x 36"	68 gal	26 lbs.	E5-3300
30" x 36"	105 gal	33 lbs.	E6-4100



INLET OPTIONS

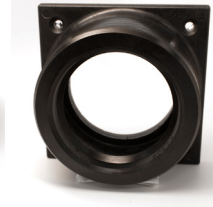
Options	Part #
No Inlet	
4" Grommet	G400
4" Grommet Hub	H400R
4" Composite Fiberglass	H400C
4" Threaded PDQ Hub	H4PDQ



G400



H400R



H400C



H4PDQ

COVER OPTIONS BY DIAMETER

Options	18"	24"	30"
Solid Foam	E-C18EWSF	E-C24EWSF	
ECG Only	E-C18EWSFE	E-C24EWSFE	
Simplex w/ Gaskets	E-C18G	E-C24G	
Simplex w/ Flanges	E-C18F	E-C24F	
Solid Steel	C18WSL	C24WSL	C30WS
Simplex Steel	C18SS		
2 pc. Simplex Steel	C18TS		
Simplex Steel w/ Access		C24-12SSA	C30-12SSA
Duplex Steel w/ Access			C30-12DSA
Solid Fiberglass		C24WFNSTP	C30WFNSTP
Simplex Fiberglass		C24FSNSTP	C30SFA
Duplex Fiberglass			C30DFA



E-C18G



E-C18EWSF

